
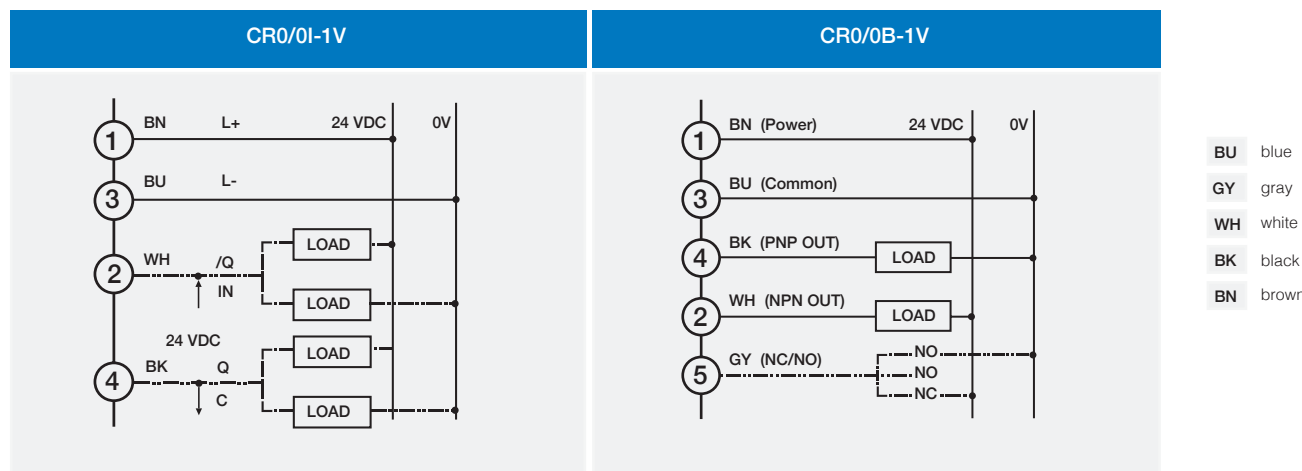


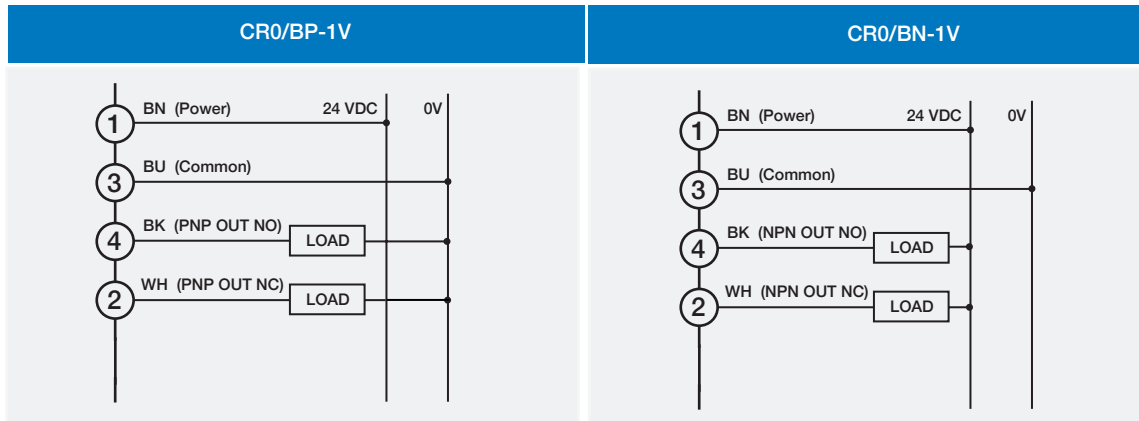
CR0	
	
nominal sensing distance (Sn)	0.2...4.5 m (RL106G - ExG 2)
emission	red (617nm)
operating voltage	16...30 Vdc
no load supply current	≤ 10%
no load supply current	100mA
load current	100mA
leakage current	≤ 100 µA (Vdc max)
output voltage drop	3 V max (100mA)
adjustment	Teach-in: fine < 3 sec; > 6 sec
output type	PNP; NPN; Push-pull; (NO+NC) compl. output (NO+NC)
switching frequency	600 Hz
time delay before available	300 ms
minimum object detection	3...6mm @2m RL106G ⁽¹⁾ 3...10mm@4,5m RL106G ⁽¹⁾
power supply protections	polarity reversal, transient
output protection	short circuit (autoreset)
interference external light	5000 lux (fluorescent lamp); 50000 lux (sunlight)
operative temperature range	-10°C....+55°C (without freeze)
temperature drift	10% Sr
LED indicators	green: power supply red: dark/light status
protection degree	IP67 (EN60529)
housing material	aluminium
optical material	PMMA

⁽¹⁾ 106G reflector 20 x 80mm (concealment)

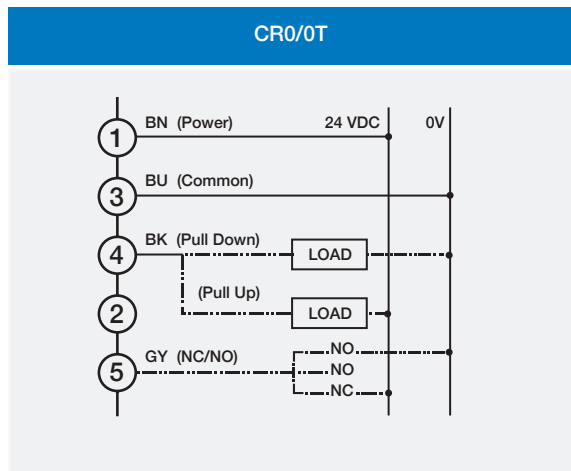
electric diagrams of the connections



electric diagrams of the connections



- BU** blue
- GY** gray
- WH** white
- BK** black
- BN** brown

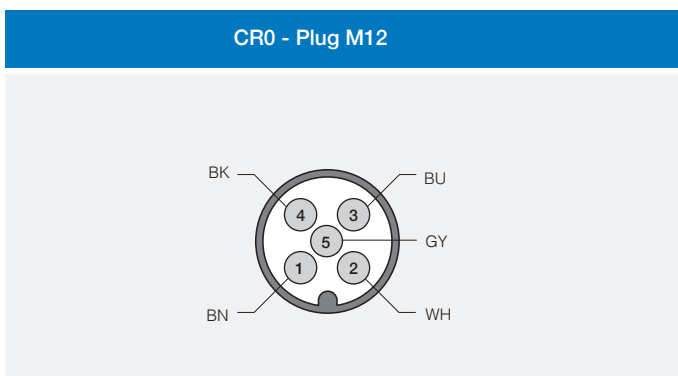


response diagrams

Distance from sensor to reflector

Reflector	Min (m)	Max (m)
RL 106G	0,2	5,5
RL 135	0,3	3,5
RL100D (150 x 40mm)	0,3	2,5

plugs

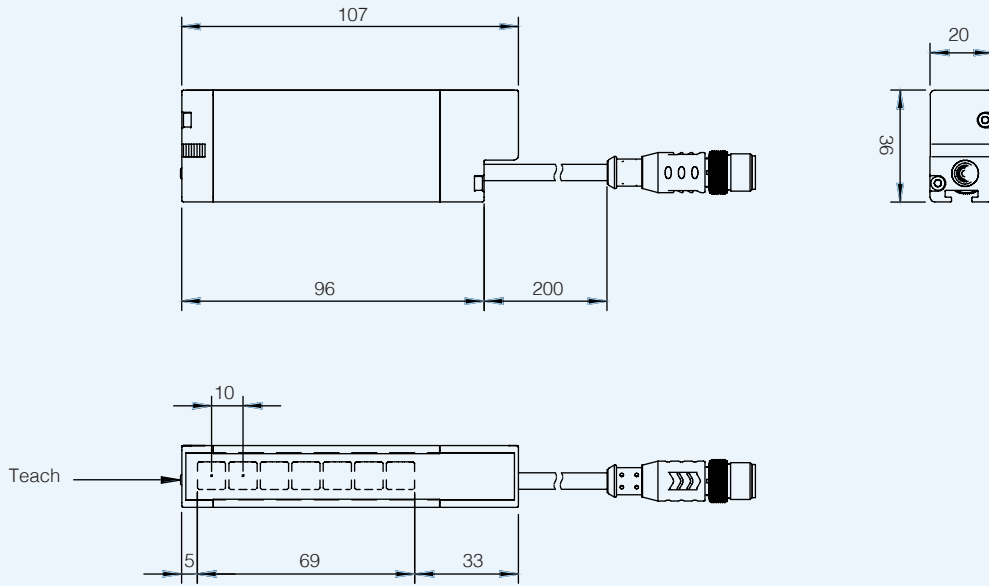




dimensions (mm)

Retroreflective
Polarized Area Sensors

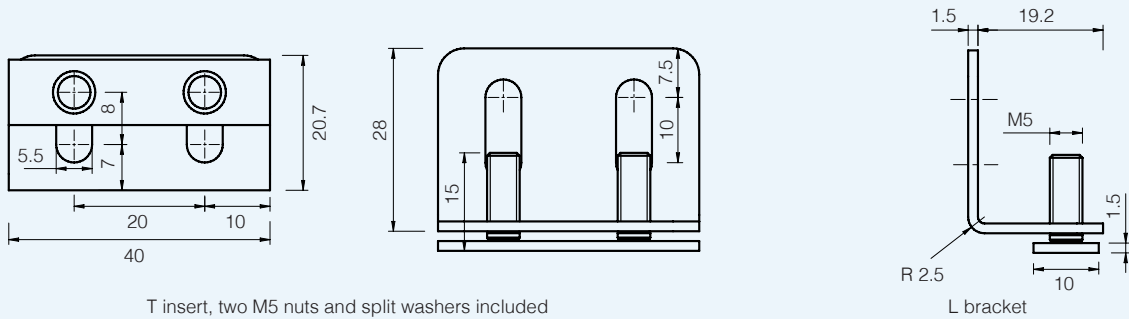
CR0/**_**




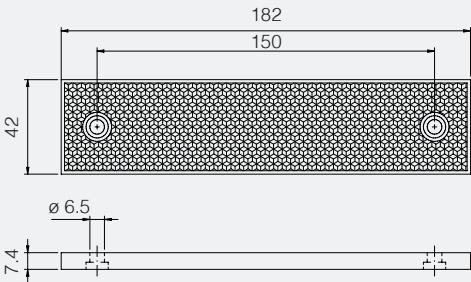
dimensions (mm)

accessories included with all models

accessories fixing kit ST151



RL 106G

product	dimensions (mm)
	

CR0